

What is Swich?

Swich is a unique patented product that enables you to convert any tap (new or existing) into one that delivers great tasting, refreshing filtered cold water.

Swich provides an easy way to get filtered water from any style of tap. This multi- award winning product provides a simple sustainable solution for the modern home and allows you to make the switch from bottled water, saving money and the environment!

The Swich starter pack includes the control, choice of filter and connecting pipes you will need to get going.



Which of the Swich options is right for me?

Your options for Swich are:

- Square or round control handle (choose to match your existing tap design)
- Chrome, Brushed Nickel, Matt Black, Brushed Brass or Wood (choose to match your existing tap design)
- GAC or GAC and resin filter (choose to match your water type, see later)



Swich Round Chrome:
AT2050 (with GAC filter)
AT2054 (with GAC and resin filter)



Swich Round Brushed Nickel:
AT2051 (with GAC filter)
AT2055 (with GAC and resin filter)



Swich Round Matt Black
AT2106 (with GAC filter)
AT2107 (with GAC and resin filter)



Swich Round Brushed Brass
AT2109 (with GAC filter)
AT2110 (with GAC and resin filter)



Swich Square Chrome:
AT2052 (with GAC filter)
AT2056 (with GAC and resin filter)



Swich Square Brushed Nickel:
AT2053 (with GAC filter)
AT2057 (with GAC and resin filter)



Swich Round Beech:
AT2201 (with GAC filter)
AT2202 (with GAC and resin filter)

Which filter type should I choose (GAC or GAC & Resin)?

The quality of UK water is some of the best in the world and follows strict legal quality and testing laws, the principal reason we don't drink more of it is the taste and odour of chlorine used to keep our drinking water safe.

Both filter types contain GAC (granular activated carbon), principally made from passing oxygen through carbon (typically roasted coconut shells) to make it porous this carbon absorbs the chlorine and other impurities in your water supply on demand making the water taste more like bottled water.

The optional resin element choice is a good option for customers who live in hard water areas, the resin reduces the temporary hardness of the water reducing scum on drinks and limescale build up on cookware and kettles.

Both filters can be used with either type of water hard or soft, if you are not sure you can check using your postcode and your local water supplier's website to check the hardness. if in doubt choose the GAC filter both are interchangeable, and you can always swap later.

Swich has a choice of two filter types:

Filter type	Suitable for reduction of limescale	Filter capacity*	Replacement Period	Filter size
GAC filter	✓	6000L	At reaching capacity every 6 months recommended or 1 year maximum	300mm length x 64mm diameter
GAC and resin filter	X	1000L**		

*depends on incoming water quality and usage.

** based on a typical hardness of 150ppm and a flow rate of 2 litres/minute, after this time the GAC element of the filter will be usable up to 4000L. The harder the water, the more it is used and the slower the flow rate the faster the resin will be exhausted.

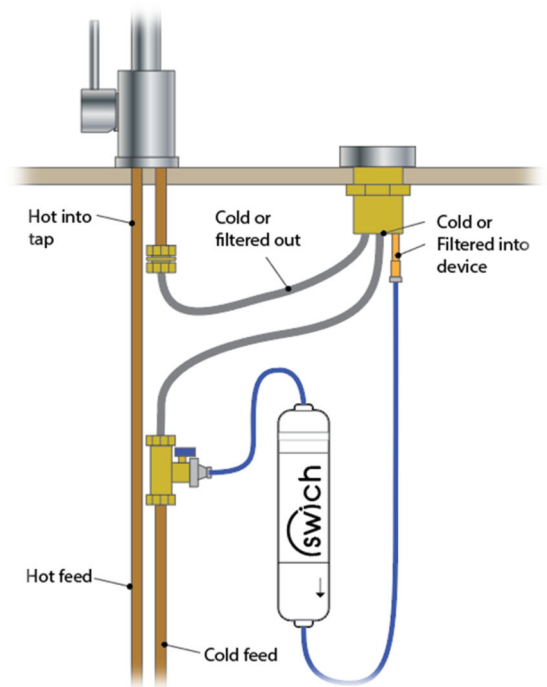
Both filter types improve the taste, odour and clarity of the incoming water and reduce the levels of chlorine, debris, and selected trace element chemicals.

How does it work?

Swich takes the existing cold feed to your tap and splits it two ways (one via the Swich filter) to the control handle.

You then choose the water type you need, normal cold water or filtered cold water by turning the Swich handle, then when you turn on your cold tap you receive whichever source you chose. Let the water run cold so the water is fresh and that's all you need to do.

Turn the handle to "1" to turn Swich on for filtered water, turn the handle to "0" to turn it off and normal cold water will flow again.



Where can I install Swich?

Anywhere you like, the only limitation is the thickness of the surface, this must be 50mm or less.



Through a worktop next to the sink

Through a spare tap hole in the sink

Under the sink (inside the base unit)

Swich can even be used in the bathroom if you like!

When you install the filter place it vertically and we'd advise that it's positioned near the front of the cupboard to make it easier to change.

Which taps can Swich work with?

Pretty much any tap with a cold water inlet some examples below, if in doubt ask a plumber.

Dual handle monoblocs



Single lever monoblocs



Pull out and spray taps



Traditional taps



Can Swich be used with a water softener to replace my existing “touch tap” dispenser?

It is a legal requirement for every home in the UK to have a safe source of drinking water, if the incoming cold water feed is softened then a separate source of drinking water is required.

Swich can be used to replace the role of the “touch” dispenser tap, you must simply attach the incoming water to the filter source to an unsoftened water supply.

Can I use Swich on a private water source?

Swich should only be used on a known safe (for example municipal water company treated) water source.

If you wish to use the water from a borehole for example the incoming water must be of safe known water quality.

Can I install Swich myself?

Yes, if you have ever installed a tap before and have basic tools then you probably have enough skills to do this, step by step plain English instructions are included. If you are unsure contact a trusted local plumber, they will make easy work of it.

What is included with Swich?

- 1 x Swich control
- 1 x filter and mounting clip
- 2 x 750mm flexible hoses to connect to your tap
- 1500mm ¼” filter tube
- 1 x Three way isolation tee and sundry connections

See the product instructions for further detail (Everything you need to get going).



When do I need to replace the filter?

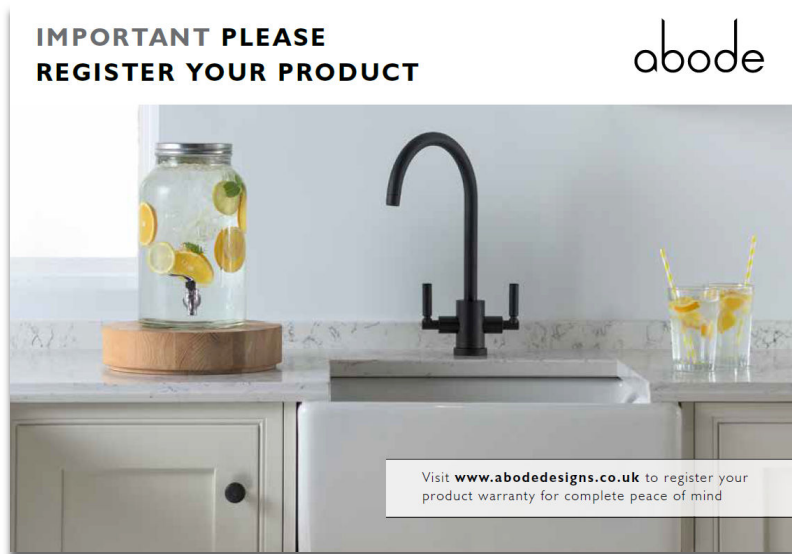
This will depend on the incoming water quality and the amount of use.

The filter capacity examples are shown above but as a general guideline the filters might need to be replaced every 6 months for the average family, the filter must be replaced after a maximum of 12 months for reasons of hygiene.

When this is needed simply isolate the three-way valve lever and change over the push fit filter, then turn the lever back on.

Once the filter is installed (wetted) the usage begins. If you notice the taste of chlorine returning or the softening properties of the resin filter fade it probably time to replace it.

Abode operate a free reminder system for filters, simply register the product online and we will email you a reminder.



Where can I buy replacement filters?

Order online at www.abode-shop.co.uk

Or call our sales team on 01226 283434.

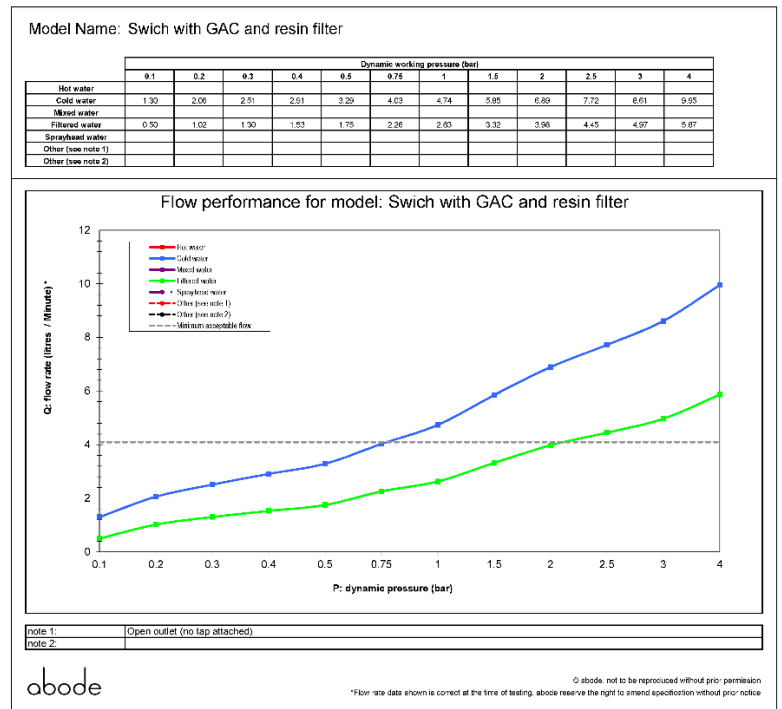
Filters are sold in Twin packs to save on transport and packaging waste, if kept in a dry place away from sunlight unopened each filter has a shelf life of two years.



What is the required water pressure and flow rates?

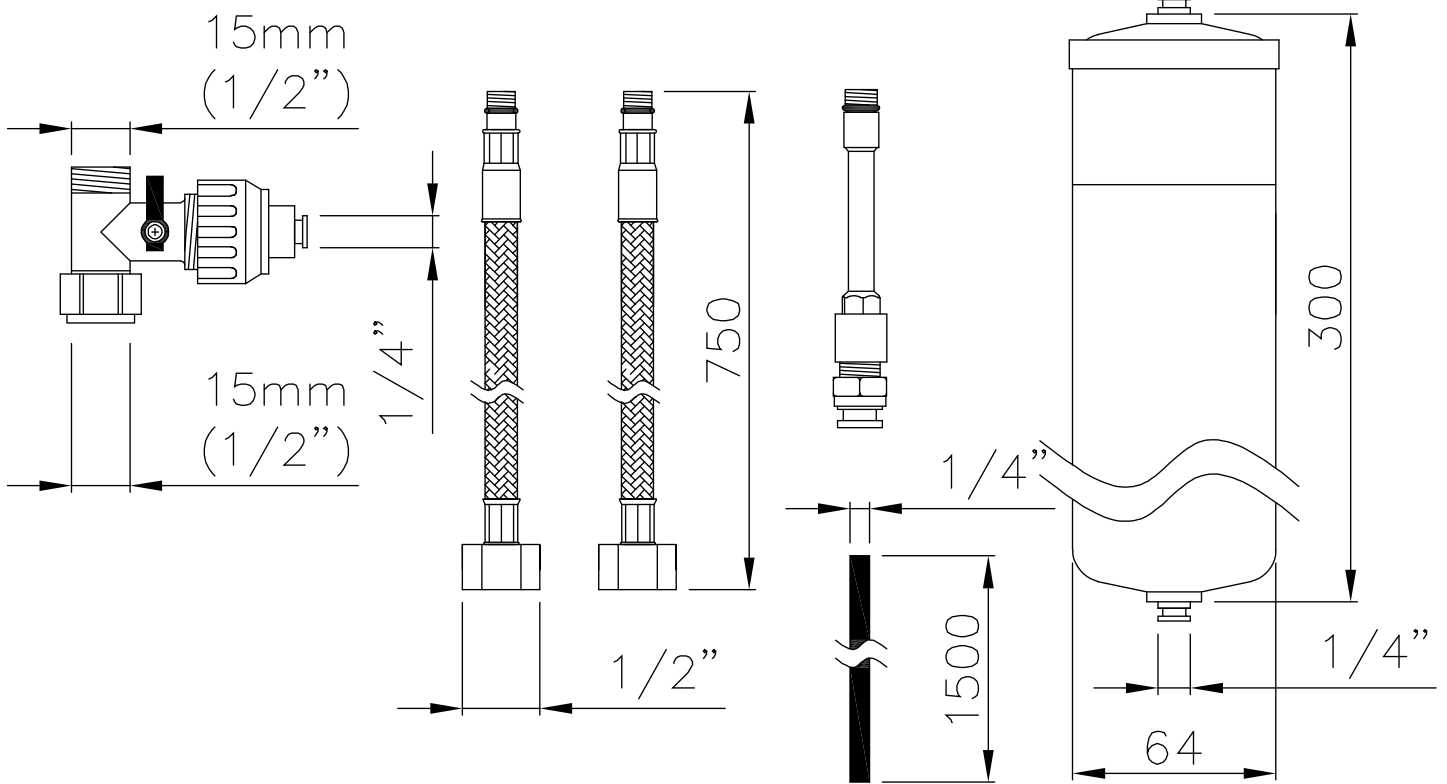
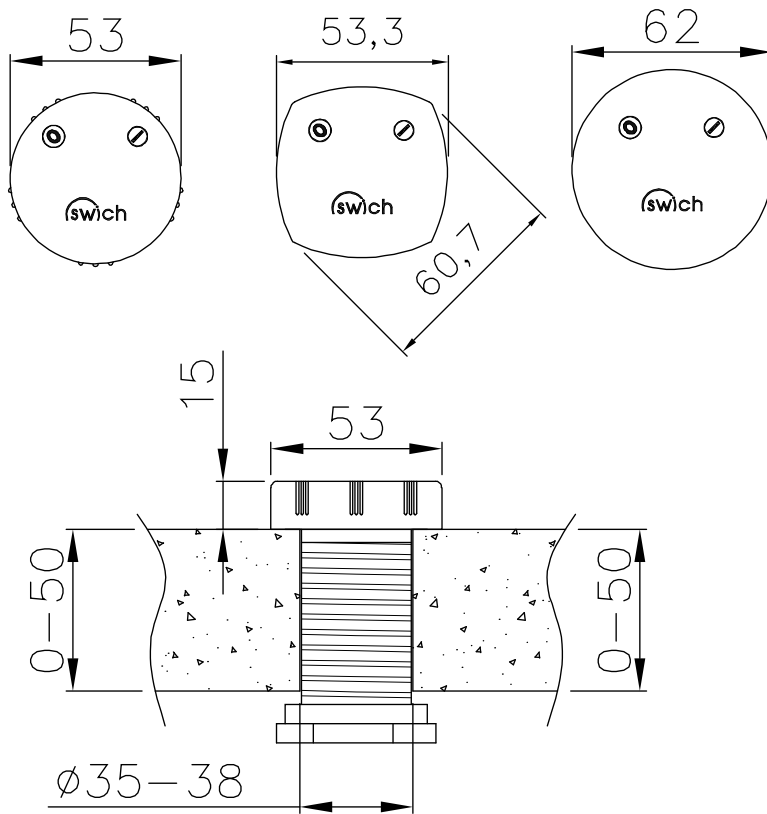
The flow rate of cold and filtered water from your tap will depend on both the type of tap used and the incoming cold water pressure available, for most “typical” mixertaps we recommend a minimum cold water pressure of 1 bar to achieve acceptable cold only and filtered water flow rates.

The flow graph shown here is open outlet (not attached to a tap) using the GAC and resin filter type.



Technical specifications and requirements:

<i>Minimum / maximum cold water pressure:</i>	1 bar / 5 bar, in case of higher incoming pressure install a pressure reducing valve.
<i>Minimum / maximum tap hole diameter:</i>	35 -38mm diameter
<i>Minimum / maximum worktop (or sink) thickness:</i>	0-50mm
<i>Swich control handle diameter</i>	“Round” type 53mm max “Square” type 53-61mm max “Wood (Beech) type 62mm max
<i>Maximum distance from Swich to tap:</i>	Apx. 500mm depending on the tap type, flexible connectors use standard plumbing connections in the unlikely event that extension is required.
<i>Materials approval:</i>	All non-metallic materials used in Swich are BS6920 drinking water approved.
<i>Warranty:</i>	Five years (except decorative finish, 1 year)



©abode 28/04/22, Swich is a registered trademark of abode. All Errors and omissions excepted